

TLB-325 **ESL**

SPECIFICATIONS
ALLMAND TLB-325 ESL

SPECIFICATIONS

Engine	Gasoline: 25 hp, air-cooled
Transmission	Heavy-duty hydrostatic
Drive Motor	Ross ME series
Power Steering	Load-sensing hydraulic steering with balanced steering cylinder
Differential	Limited slip
Speed Range	0 to 5.0 mph (0 to 8.0 km/h)
Aux. Hyd. Output	8 gpm @ 2,400 psi
Tires	Front: 23 x 8.5 - 12 (std.) 23 x 10.5 - 12 (optional) Rear: 31 x 15.5 - 15
Capacities	Fuel: 12 gal. (45.5 L) Hydraulic oil: 10 gal. (38 L)
Loader	Single-lever joystick with bucket float Bucket capacity: 1/2 cu. yd. (.4 cu. m) Breakout force: 3,400 lbs. (1,542 kg) Lift capacity: 2,100 lbs. (952 kg)
Brakes	Hydrostatic service brake Band type parking brake
Backhoe	ESL™ design Digging force: 4,611 lbs. (2,091 kg) @ bucket 2,424 lbs. (1,099 kg) @ dipper Digging depth: 8 ft. 10 in. (2.7 m) (8 ft. 6 in. [2.6 m] 2 ft. flat bottom) Buckets: 10 in. (25.4 cm), 12 in. (30.5 cm), 16 in. (std.) (40.6 cm), 18 in. (45.7 cm), 24 in. (61 cm), 36 in. (91.4 cm) 180-degree swing arc with cushioned swing cylinders Steel grouser pads Stabilizers extend to 10 in. (25.4 cm) below grade 13 ft. 7 in. (4.14 m)
Transportation Length	13 ft. 7 in. (4.14 m)
Weight	4,045 lbs. (1,834 kg)



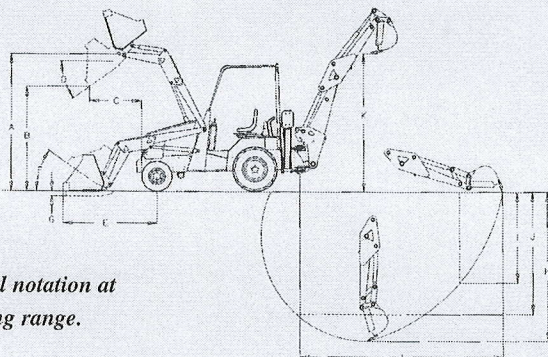
WORKING RANGE

- A. Maximum lift height (bucket pivot): 90 in. (2.3 m)
- B. Clearance with bucket dumped: 74 in. (1.9 m)
- C. Reach @ maximum height: 34.5 in. (87.6 cm)
- D. Bucket dump angle: 25 degrees
- E. Reach @ grade: 49.5 in. (1.3 m)
- F. Bucket rollback angle: 30 degrees
- G. Loader digging depth: 4 in. (10.2 cm)
- H. Backhoe digging depth: 8 ft. 10 in. (2.7 m)
(8 ft. 6 in. [2.6 m] 2 ft. flat bottom)
- I. Straight wall digging depth: 3 ft. 4 in. (1.0 m)
- J. Digging depth (8 ft. flat bottom): 6 ft. 9 in. (2.1 m)
- K. Maximum loading height: 7 ft. 1 in. (2.2 m)
- L. Reach from swing post: 11 ft. 2 in. (3.4 m)

DIMENSIONS

Length	16 ft. 9 in. (5.1 m)
Height	82.5 in. (2.1 m) (ROPS)
Width	56 in. (1.4 m)
Wheelbase	65 in. (1.7 m)
Bucket width	56 in. (1.4 m)
Ground clearance	9 in. (22.9 cm)

Photos shown may include non-standard equipment. Specifications are subject to change without prior notice.



See alphabetical notation at right for working range.

Sold and serviced by:



Reliability,
performance,
and integrity
since 1938.

Made in USA

056KN2.5

Allmand™

Allmand Bros. Inc.
P.O. Box 888
Holdrege, NE 68949
800-562-1373
308-995-4495
Fax: 308-995-5887
www.allmand.com